

QPD2-800-2700-50-N

2-Way, 0.8~2.7GHz

Features:

- * Small Size
- * Low Insertion Loss

Applications:

- * Amplifiers
- * Mixers
- * Antennas
- * Laboratory Test

Electrical

Frequency:	0.8~2.7GHz
Insertion Loss:	0.5dB max.
Input VSWR:	1.25 max.
Output VSWR:	1.2 max.
Isolation:	20dB min.
Amplitude Balance:	0.2dB max.
Phase Balance:	±3°
Impedance:	50Ω
Average Power:	50W max. 2W max. as combiner

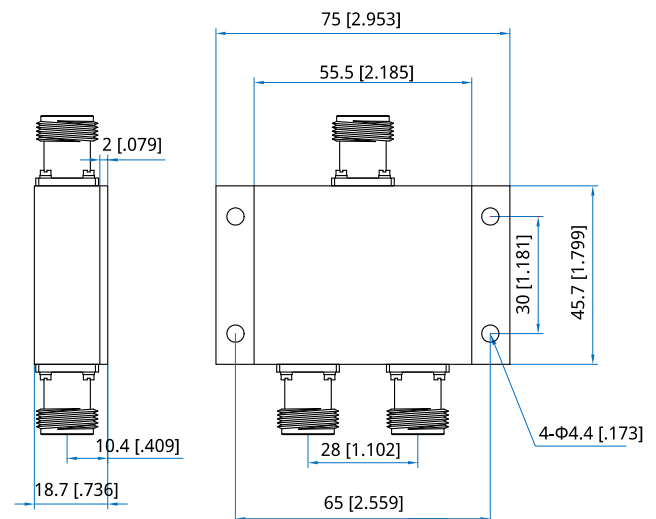
Mechanical

Size*1:	45.7*75*18.7mm 1.799*2.953*0.736in
Weight:	138g
Connectors:	N Female
Mounting:	4-Φ4.4mm through-hole

[1] Exclude connectors.

Environmental

Operation Temperature:	-35~+75°C
------------------------	-----------

Outline Drawings


Unit: mm [in]

Tolerance: ±0.5mm [±0.02in]

How To Order

QPD2-800-2700-50-N

Customization is available upon request.